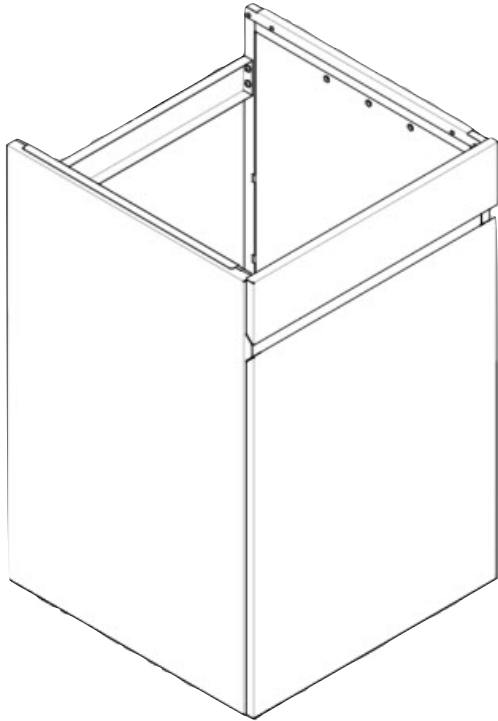


# QUADRO



## SINGLE DOOR UTILITY CABINET | QCUL Assembly Instructions

May 2024

## IMPORTANT INFORMATION

### WARNINGS

1. Estimated installation time is between 45 and 90 minutes, depending on the model and experience.
2. Handle porcelain stone with extreme care. Do not drop sharp or heavy objects onto the surface and use caution when installing the BBQ.
3. Do not stand the benchtop or legs (Ascale model) on the porcelain stone edge.
4. Handle steel elements with care to avoid scratching and denting.
5. A minimum of 2 adults required for assembly of the product.
6. Follow instructions for correct assembly. Printed or video assembly instructions available through the website. Please contact Quadro Concepts International through the website for support.
7. Ensure that all parts are included before starting to assemble. Please contact Quadro Concepts International through the website with any issues or enquiries.
8. Assembly on flat, level surface using a soft underlay to avoid damage.
9. Do not use product until all parts are installed correctly
10. Do not use any other tools than the ones provided or recommended in the assembly instructions. Incorrect assembly will lead to product damage and is not covered under the limited warranty.
11. Do not use power tools for assembly. Risk of damage to product.
12. During assembly, hand tighten all bolts first, then adjust and align parts that are being assembled, then tighten bolts with hand tools only (allen key).
13. Make sure all bolts are tightened before installing appliances and using the product. Check and retighten bolts as required.
14. Once the bench is assembled, move into place and adjust feet to ensure the unit is level and secure.
15. Please read the instruction manual provided with the appliances carefully before installing and operating these. If you have questions, please contact the representative for the Artusi brand.  
NOTE: Quadro International P/L will not be held responsible for any defects, installation, loss or damages in connection with the appliances.
16. Quadro Aperto products are designed for use with recommended Artusi Appliances only. The use of other appliances will void the warranty.
17. Maximum weight capacity: 50kg across benchtop. Avoid sharp or pointed edges or heavy objects being dropped onto any of the porcelain stone surface
18. A spare parts order form is available online.
19. All documents, information and products produced and provided by Quadro Concepts International Pty Ltd are subject to copyright and may be subject to change without notice.

### CARE

21. Only use warm, soapy water with a soft cloth for cleaning of steel components. Harsh cleaners and abrasive materials may damage the powder coated surface.
22. Use natural or alkaline detergents to maintain the porcelain stone surfaces. Make sure you rinse the surface thoroughly after cleaning. The surface is sealed and requires no additional maintenance.
23. Avoid cleaners with wax, sealing or polishing additives.
24. Ascale porcelain stone is highly scratch resistant. Brushes and pads can be used for cleaning. Do not use ceramic or steel based tools to remove dirt build-up as this could damage the surface of the porcelain stone.
25. Please recycle all packaging materials appropriately.

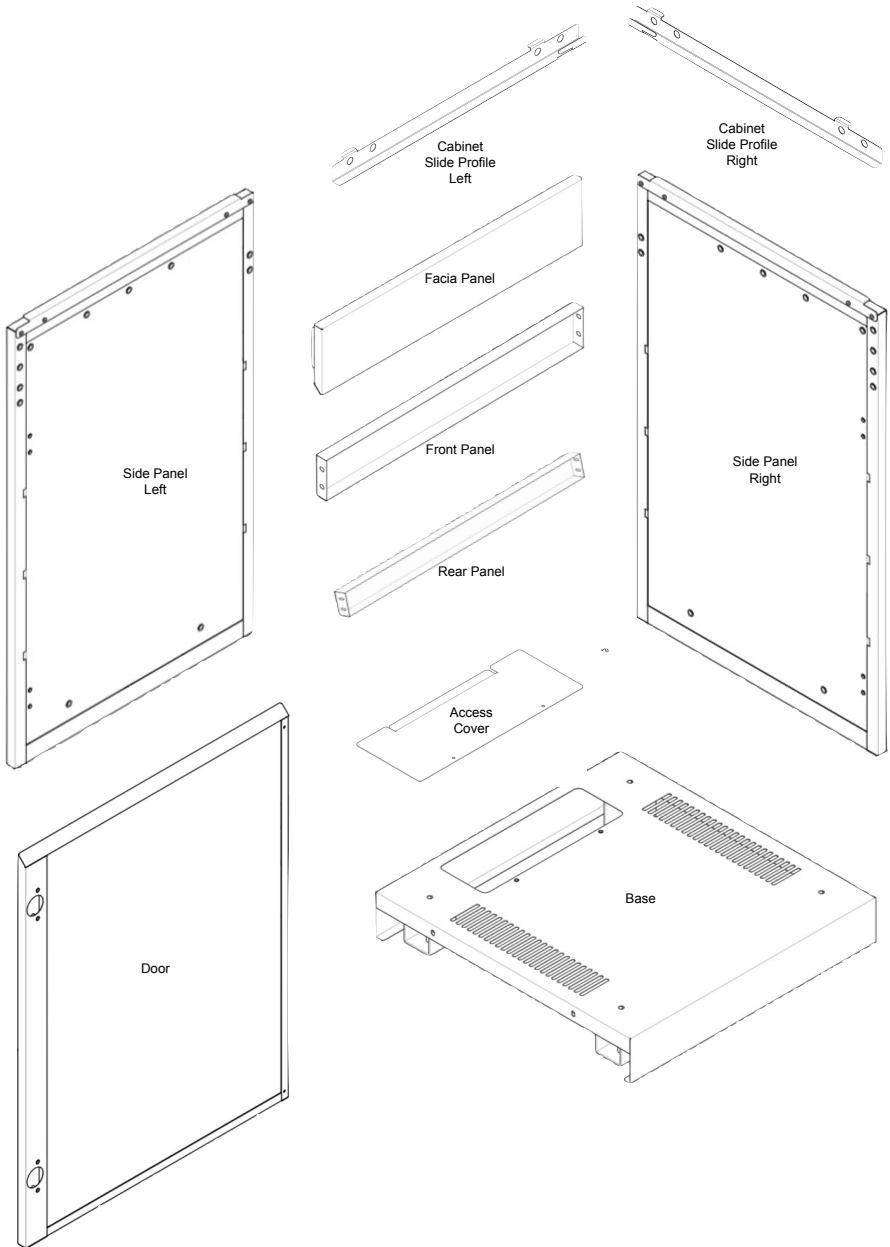


## LIMITED WARRANTY

1. Warranty Period: All Quadro products hold a general 12 month limited warranty against material or functional defects.
2. In addition, the Ascale porcelain stone holds a 25 year factory warranty backed by Tau, Spain.
3. The limited warranty on the Tau Ascale porcelain stone is a factory warranty and only applies to discolouring and damage to the surface during intended use. Damages due to incorrect handling are not covered under this warranty.
4. Installation and handling damage is not covered under this warranty.
5. The product warranty is valid for Australian customers only, and applies only to the original customer.
6. If the product has any defects or does not work as intended during the Warranty Period, Quadro Concepts International Pty Ltd will at its election and at its expense repair or replace the product.
7. The Warranty does not apply:
  - to cosmetic damage sustained during or after initial assembly;
  - to damage caused by consumables used in connection with the product (such as cleaning products);
  - where the product has not been used in accordance with all provided instructions;
  - where the Warnings in this document have not been adhered to;
  - to damage arising from fair wear and tear;
  - where the product has not been subject to reasonable use;
  - where the product has been intentionally or negligently damaged; and /or
  - if the customer has attempted to repair the product.
8. This warranty is provided in addition to any rights you may be entitled to under the Competitions & Consumer Act 2010.
9. Our goods come with guarantees that cannot be excluded under the Australian Consumer Law. You are also entitled to have the goods repaired or replaced if the goods fail to be of acceptable quality and the failure does not amount to a major failure.
10. To make a warranty claim, please use the form on the website at [www.quadroconcepts.com](http://www.quadroconcepts.com) or email [support@quadroconcepts.com](mailto:support@quadroconcepts.com)

# Box Content QCUL

## Doors & Panels







## Box Content QCUL

### Hardware

A  
16x Bolt- M6



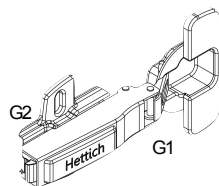
B  
16x Washer- Small



C  
4x Adjustable shelf bracket



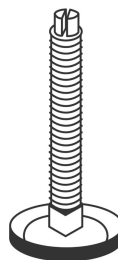
G  
4x Soft Close Hinges (G1)  
with Hinge Plates (G2)



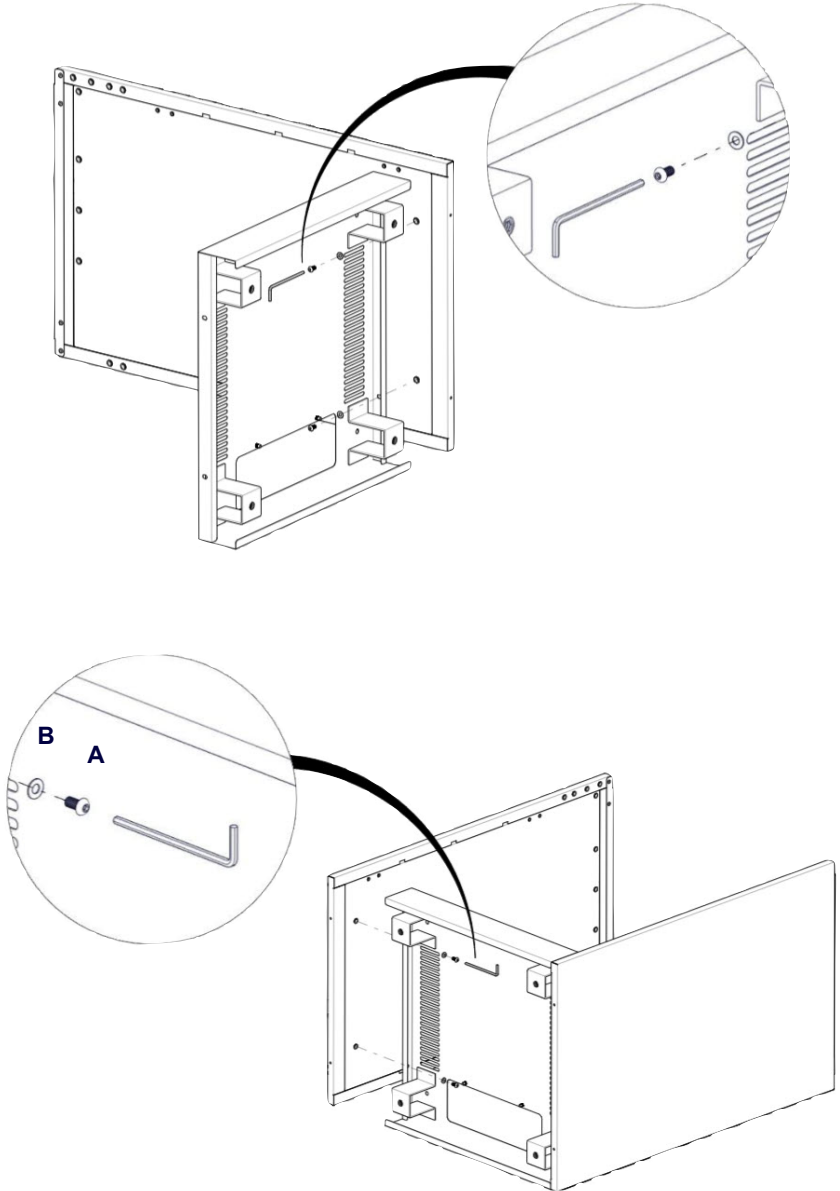
D  
8x Bolt- M4

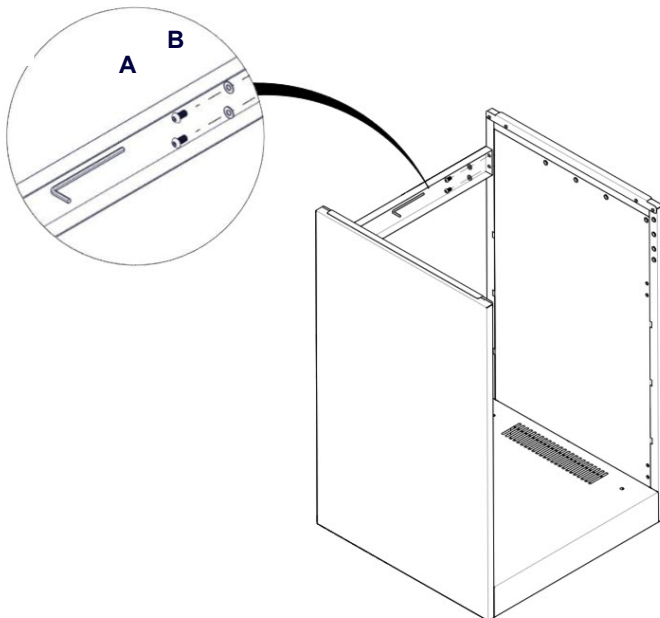
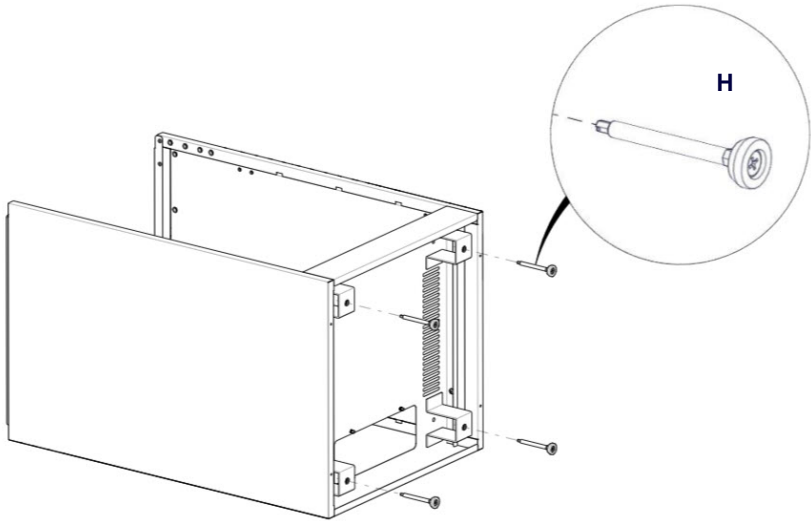


H  
4x Adjustable Feet

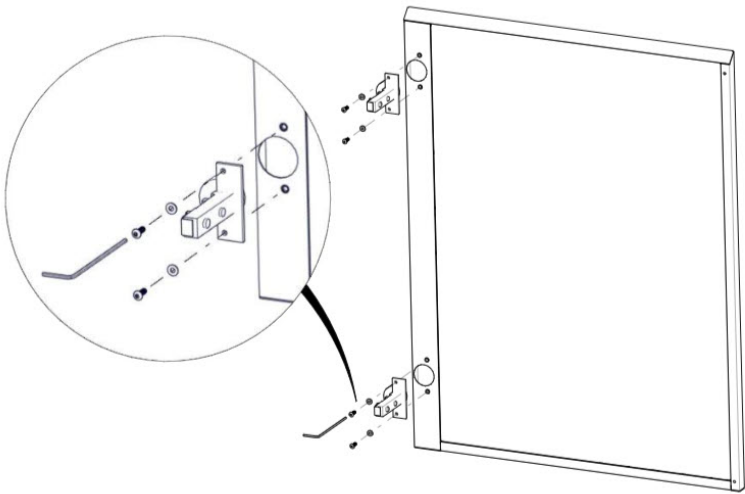
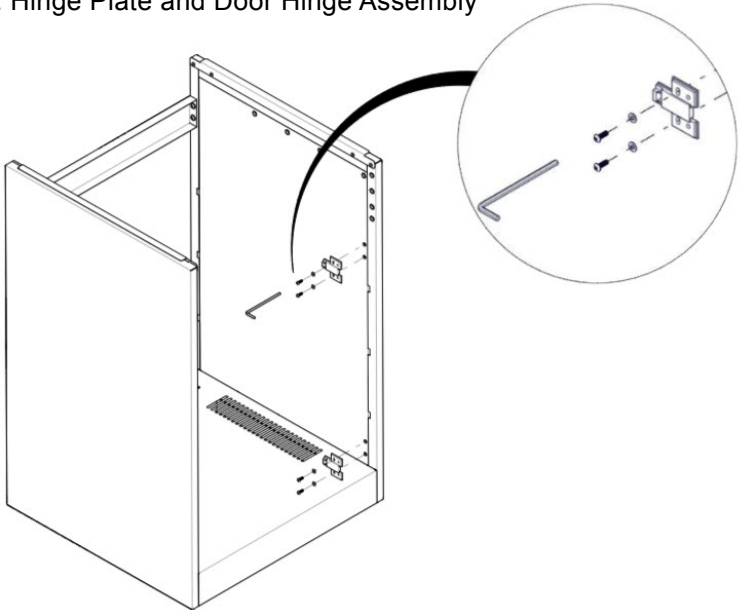


## Step 1: Side Panels and Base Assembly



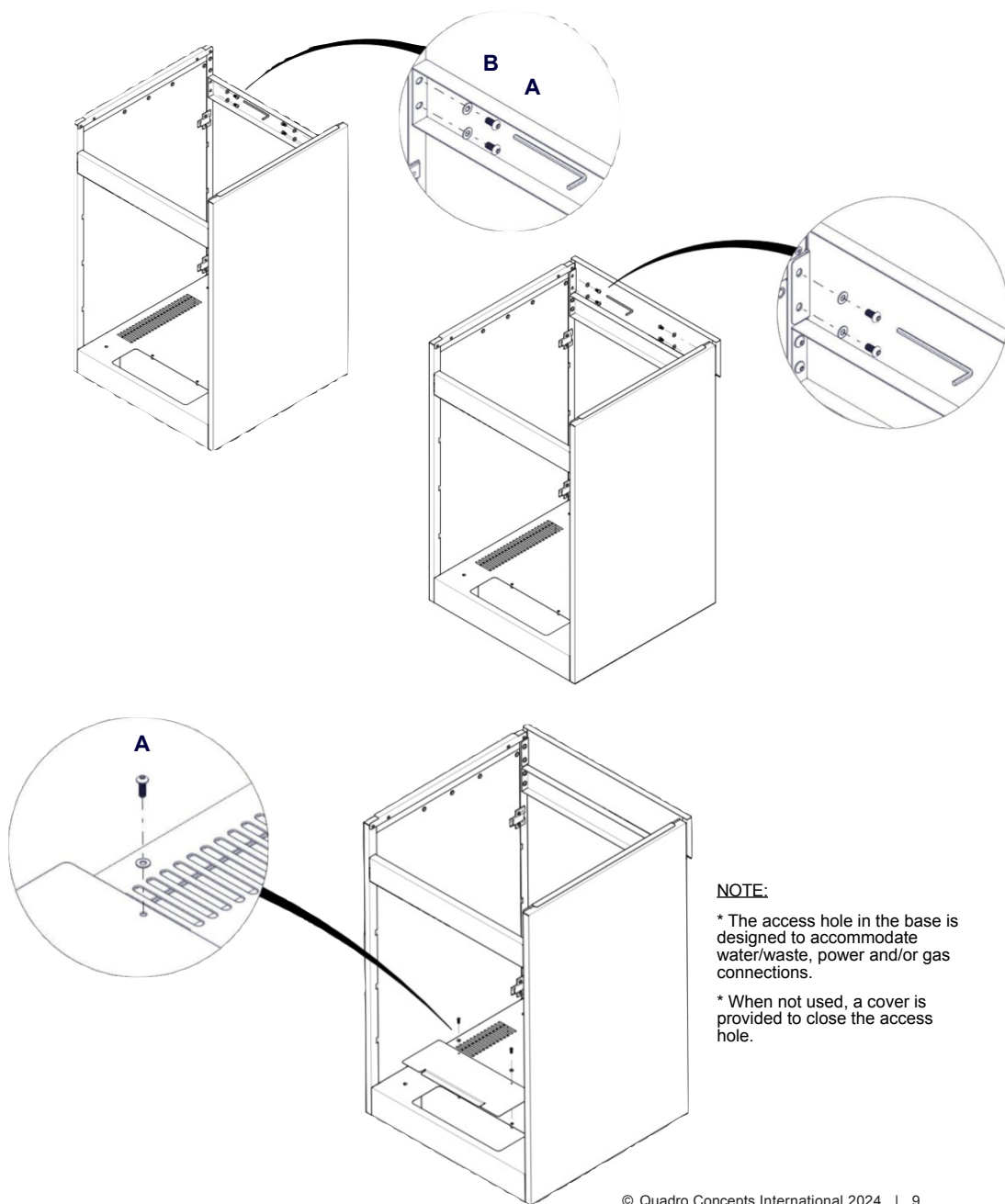


## Step 2: Hinge Plate and Door Hinge Assembly





### Step 3: Facia, Front and Rear Panel Assembly

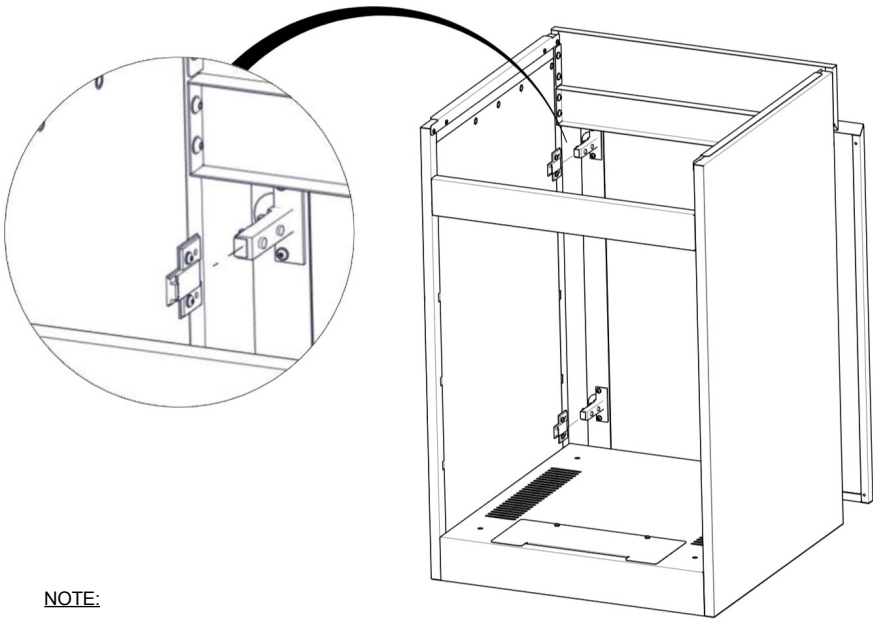


**NOTE:**

\* The access hole in the base is designed to accommodate water/waste, power and/or gas connections.

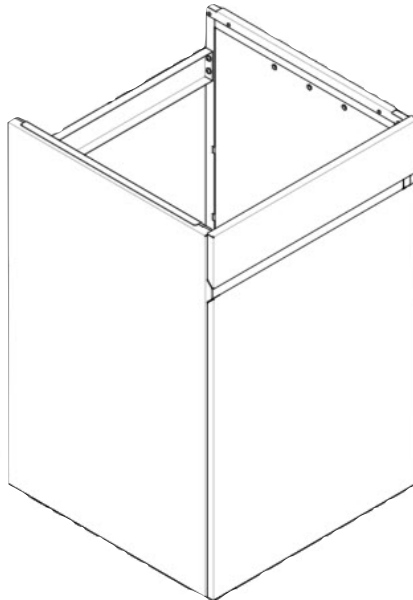
\* When not used, a cover is provided to close the access hole.

## Step 4: Door Installation



**NOTE:**

- \* hinges have to be pushed into the guides at the front of the hinge plate and then pushed down at the back until a 'click' is heard. Start with the top hinge.
- \* hinge adjustment only once the cabinet is in place and height is adjusted.

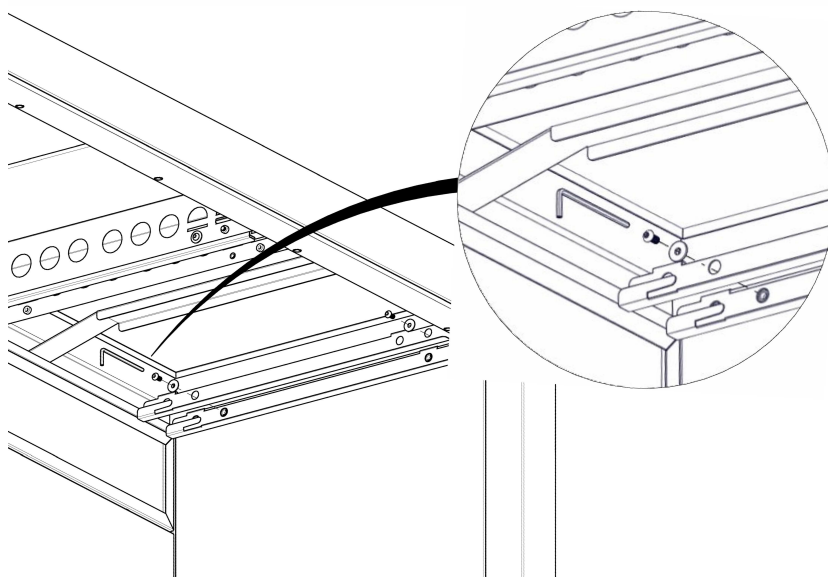
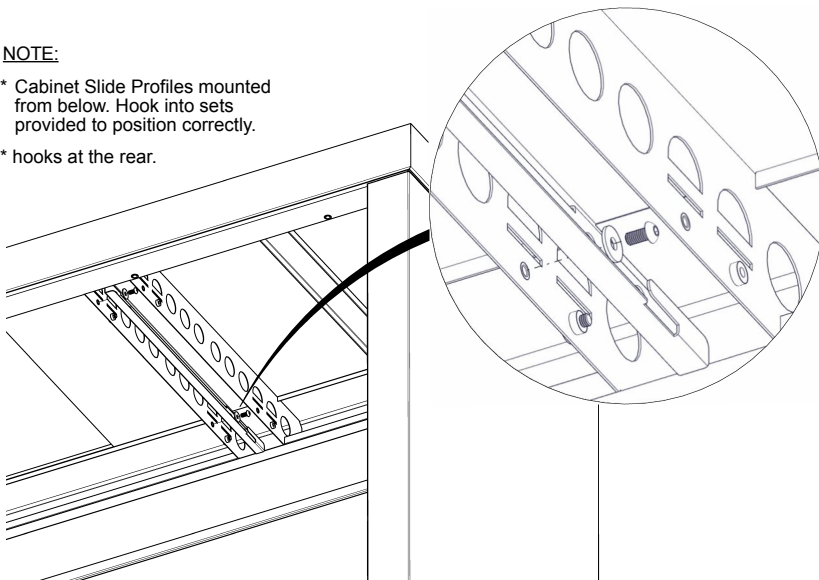




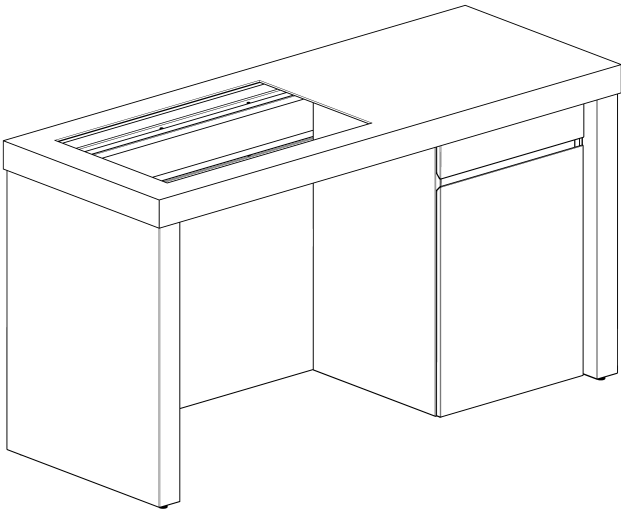
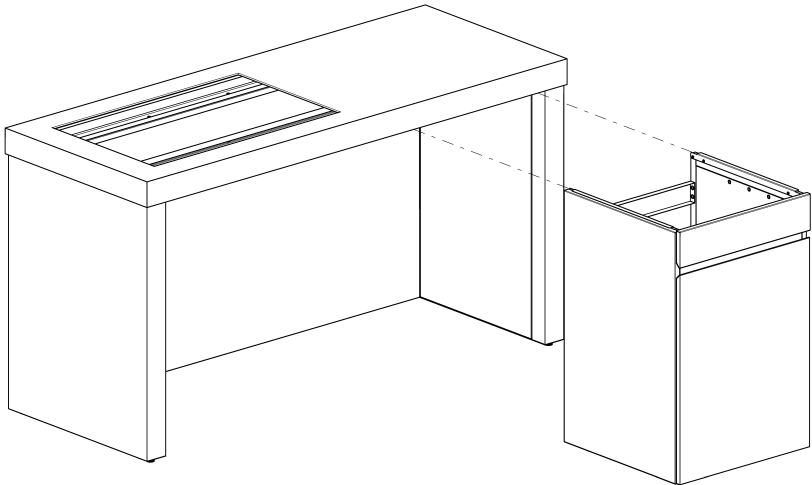
## Step 5: Cabinet Slide Profile Assembly

**NOTE:**

- \* Cabinet Slide Profiles mounted from below. Hook into sets provided to position correctly.
- \* hooks at the rear.



## Step 6: Cabinet Installation







## Notes

---

---

---

---

---

---

---

---

---

---

---

---

---

---

---

---

---

---

---

---

---

---

---

---







**Note:** All content and visuals accurate at time of printing.  
For latest information about the Quadro Concepts range of products be sure to email [contact@quadroconcepts.com](mailto:contact@quadroconcepts.com) or visit [quadroconcepts.com](http://quadroconcepts.com)



# QUADRO

**E** [contact@quadroconcepts.com](mailto:contact@quadroconcepts.com)

**W** [www.quadroconcepts.com](http://www.quadroconcepts.com)

**IG** @quadroconcepts