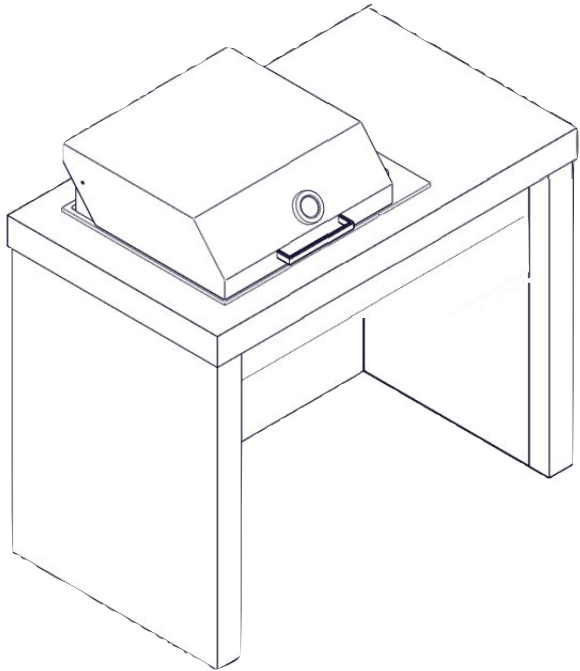


QUADRO



APERTO 1300 | QAP13 Assembly Instructions

May 2024

IMPORTANT INFORMATION

WARNINGS

1. Estimated installation time is between 45 and 90 minutes, depending on the model and experience.
2. Handle porcelain stone with extreme care. Do not drop sharp or heavy objects onto the surface and use caution when installing the BBQ.
3. Do not stand the benchtop or legs (Ascale model) on the porcelain stone edge.
4. Handle steel elements with care to avoid scratching and denting.
5. A minimum of 2 adults required for assembly of the product.
6. Follow instructions for correct assembly. Printed or video assembly instructions available through the website. Please contact Quadro Concepts International through the website for support.
7. Ensure that all parts are included before starting to assemble. Please contact Quadro Concepts International through the website with any issues or enquiries.
8. Assembly on flat, level surface using a soft underlay to avoid damage.
9. Do not use product until all parts are installed correctly
10. Do not use any other tools than the ones provided or recommended in the assembly instructions. Incorrect assembly will lead to product damage and is not covered under the limited warranty.
11. Do not use power tools for assembly. Risk of damage to product.
12. During assembly, hand tighten all bolts first, then adjust and align parts that are being assembled, then tighten bolts with hand tools only (allen key).
13. Make sure all bolts are tightened before installing appliances and using the product. Check and retighten bolts as required.
14. Once the bench is assembled, move into place and adjust feet to ensure the unit is level and secure.
15. Please read the instruction manual provided with the appliances carefully before installing and operating these. If you have questions, please contact the representative for the Artusi brand.
NOTE: Quadro International P/L will not be held responsible for any defects, installation, loss or damages in connection with the appliances.
16. Quadro Aperto products are designed for use with recommended Artusi Appliances only. The use of other appliances will void the warranty.
17. Maximum weight capacity: 50kg across benchtop. Avoid sharp or pointed edges or heavy objects being dropped onto any of the porcelain stone surface
18. A spare parts order form is available online.
19. All documents, information and products produced and provided by Quadro Concepts International Pty Ltd are subject to copyright and may be subject to change without notice.

CARE

21. Only use warm, soapy water with a soft cloth for cleaning of steel components. Harsh cleaners and abrasive materials may damage the powder coated surface.
22. Use natural or alkaline detergents to maintain the porcelain stone surfaces. Make sure you rinse the surface thoroughly after cleaning. The surface is sealed and requires no additional maintenance.
23. Avoid cleaners with wax, sealing or polishing additives.
24. Ascale porcelain stone is highly scratch resistant. Brushes and pads can be used for cleaning. Do not use ceramic or steel based tools to remove dirt build-up as this could damage the surface of the porcelain stone.
25. Please recycle all packaging materials appropriately.

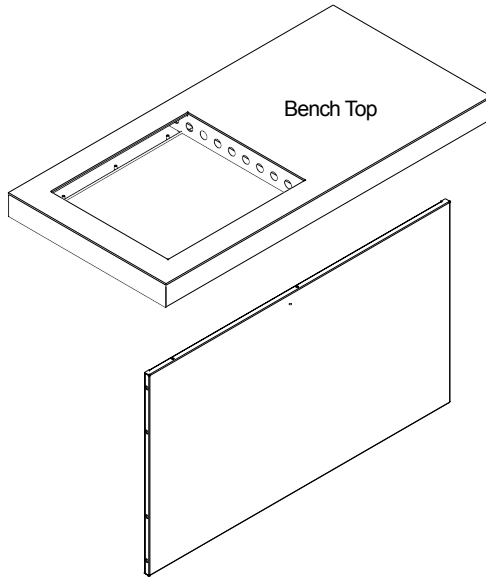


LIMITED WARRANTY

1. Warranty Period: All Quadro products hold a general 12 month limited warranty against material or functional defects.
2. In addition, the Ascale porcelain stone holds a 25 year factory warranty backed by Tau, Spain.
3. The limited warranty on the Tau Ascale porcelain stone is a factory warranty and only applies to discolouring and damage to the surface during intended use. Damages due to incorrect handling are not covered under this warranty.
4. Installation and handling damage is not covered under this warranty.
5. The product warranty is valid for Australian customers only, and applies only to the original customer.
6. If the product has any defects or does not work as intended during the Warranty Period, Quadro Concepts International Pty Ltd will at its election and at its expense repair or replace the product.
7. The Warranty does not apply:
 - to cosmetic damage sustained during or after initial assembly;
 - to damage caused by consumables used in connection with the product (such as cleaning products);
 - where the product has not been used in accordance with all provided instructions;
 - where the Warnings in this document have not been adhered to;
 - to damage arising from fair wear and tear;
 - where the product has not been subject to reasonable use;
 - where the product has been intentionally or negligently damaged; and /or
 - if the customer has attempted to repair the product.
8. This warranty is provided in addition to any rights you may be entitled to under the Competitions & Consumer Act 2010.
9. Our goods come with guarantees that cannot be excluded under the Australian Consumer Law. You are also entitled to have the goods repaired or replaced if the goods fail to be of acceptable quality and the failure does not amount to a major failure.
10. To make a warranty claim, please use the form on the website at www.quadroconcepts.com or email support@quadroconcepts.com

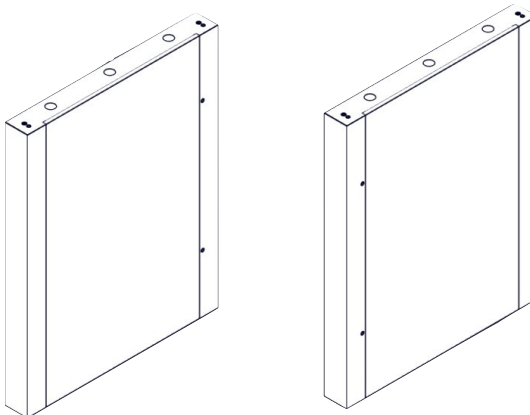
Content: Box [1 of 4]

1300 - Bench Top and Back Panel



Content: Box [2&3 of 4]

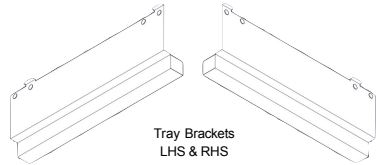
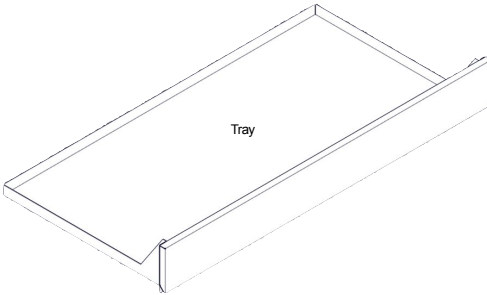
Legs x2 - LHS and RHS Identical





Content: Box [4 of 4]

QACC - Accessories



Hardware

A
4x Adjustable feet- M8



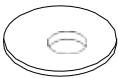
B
20x Bolt- M6



C
16x Washer- Small



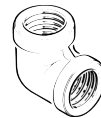
D
4x Washer- Large



E
1x M-F brass extension

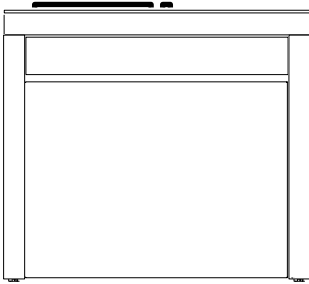


F
1x F-F brass elbow adaptor

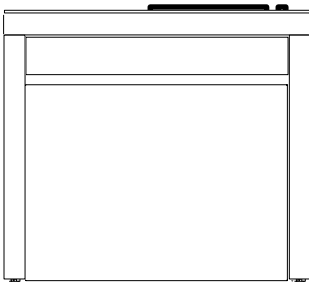


Set-Up Options

BENCH LEFT-ORIENTED



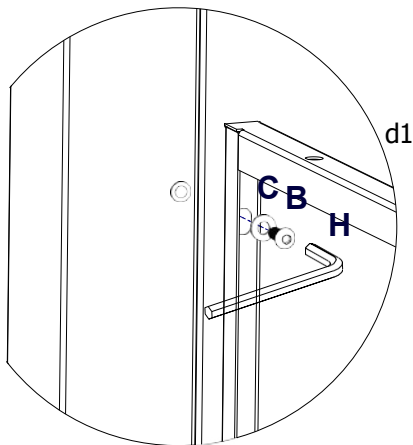
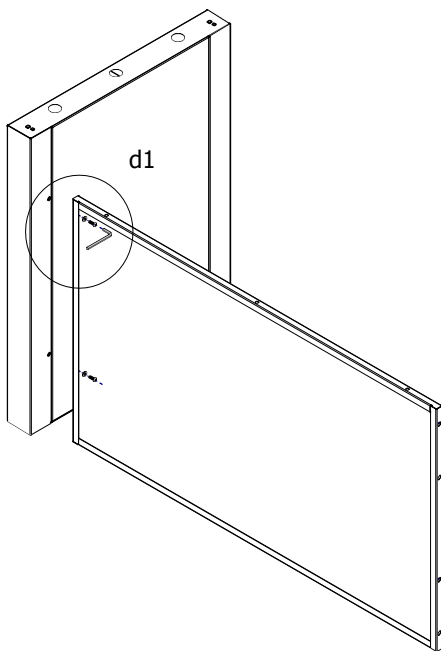
BENCH RIGHT-ORIENTED



*APERTO Outdoor Kitchens are designed to be set up either left or right-oriented by simply rotating the bench top

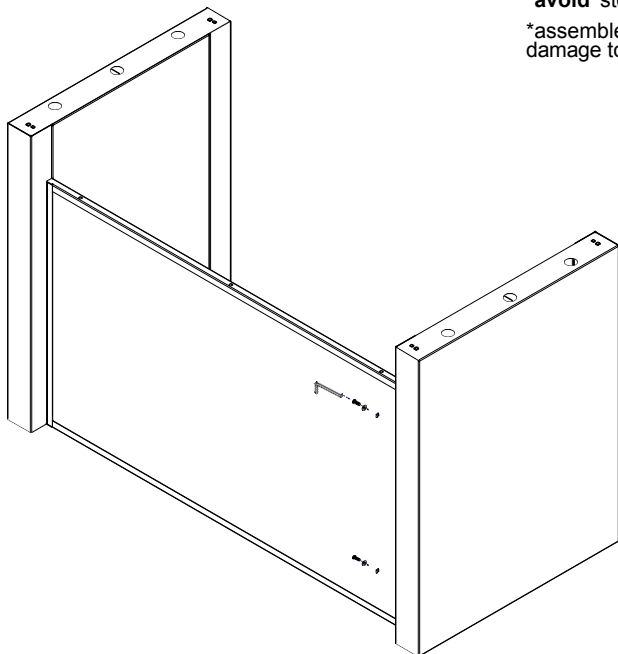


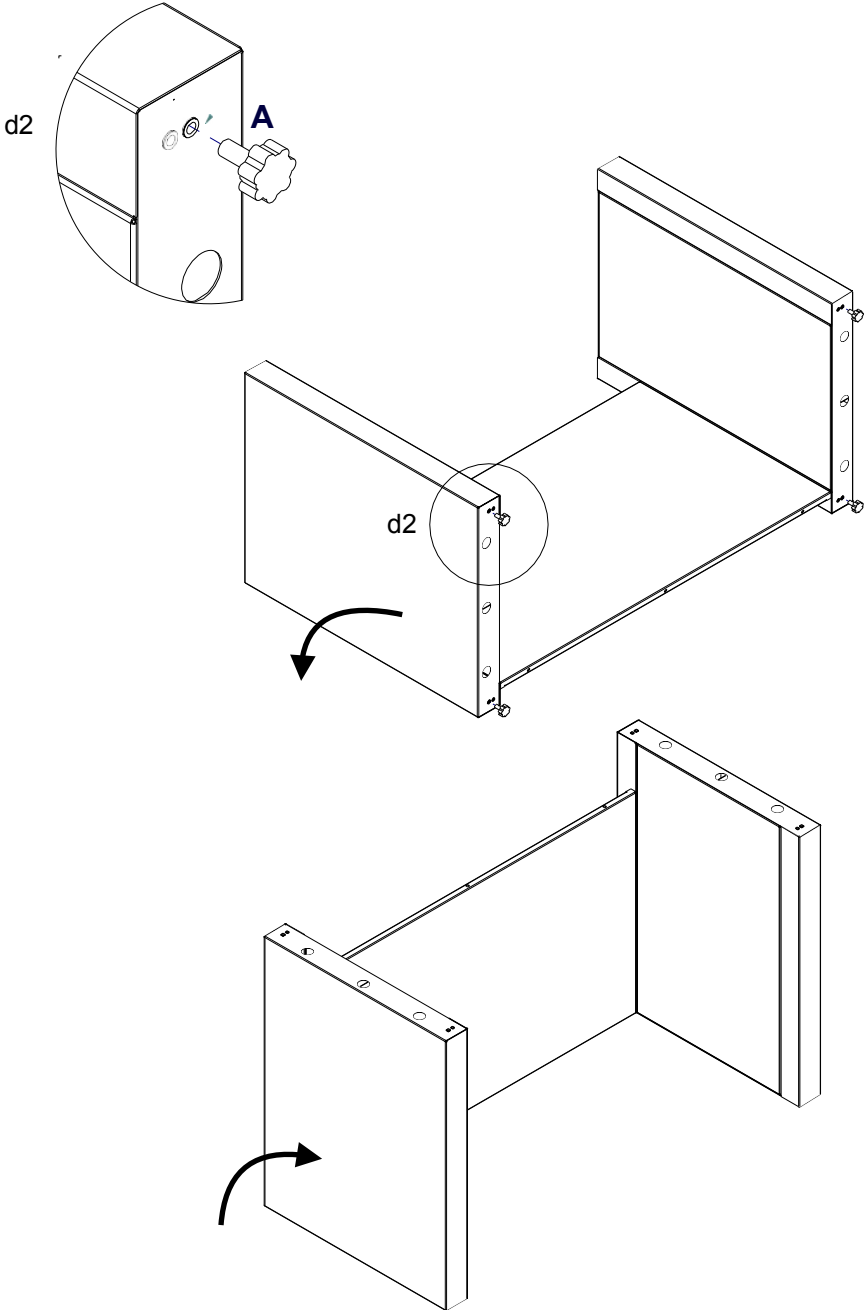
Step 1: Base Assembly



NOTE:

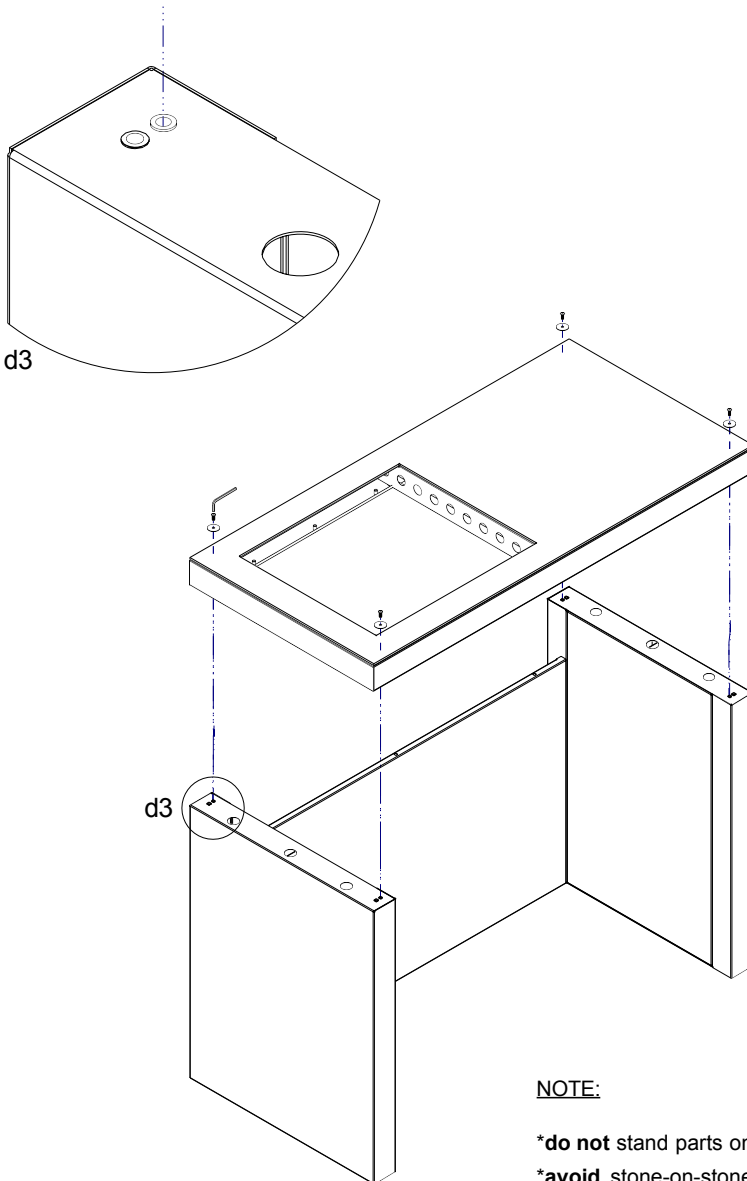
- *assemble Base on a soft underlay
- ***do not** stand parts on the stone edge
- ***avoid** stone-on-stone contact
- *assemble with two people to avoid damage to the porcelain stone

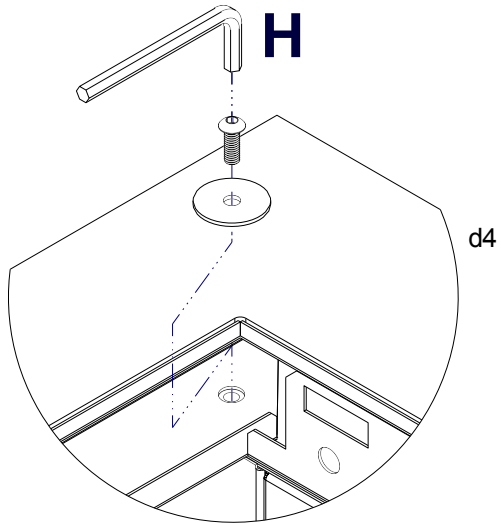
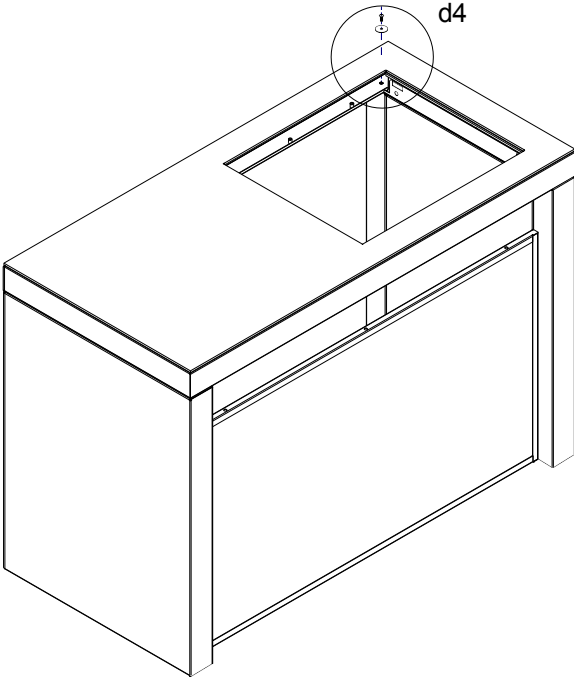






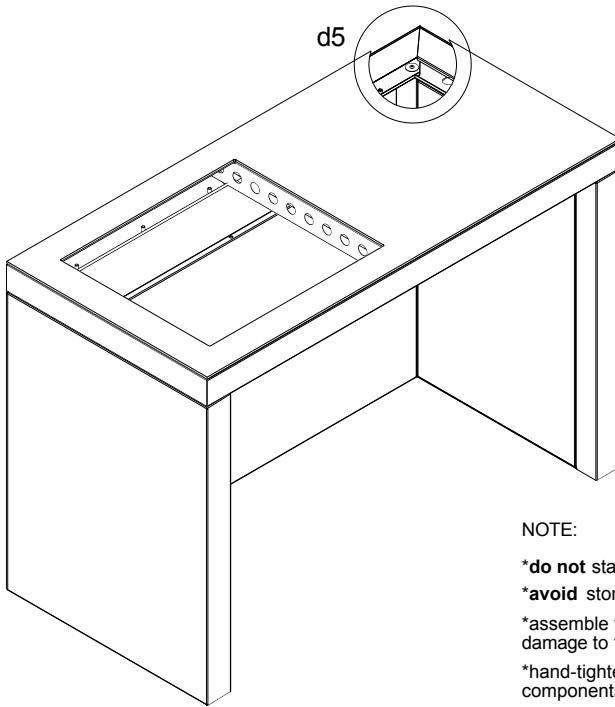
Step 2: Bench Top







Step 2: Bench Top



NOTE:

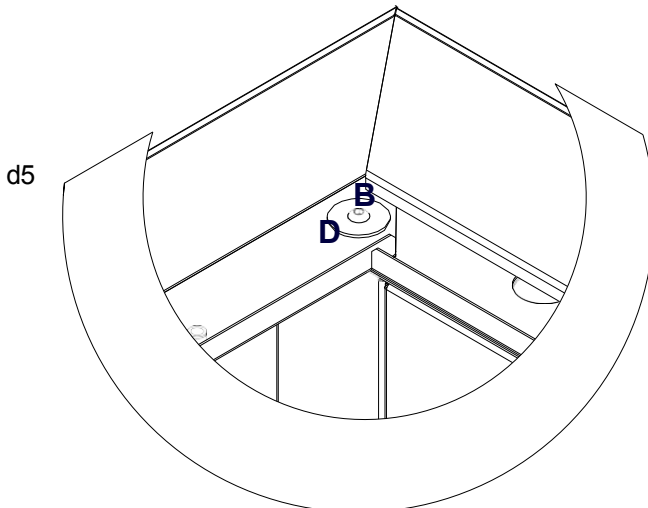
*do not stand parts on the stone edge

*avoid stone-on-stone contact

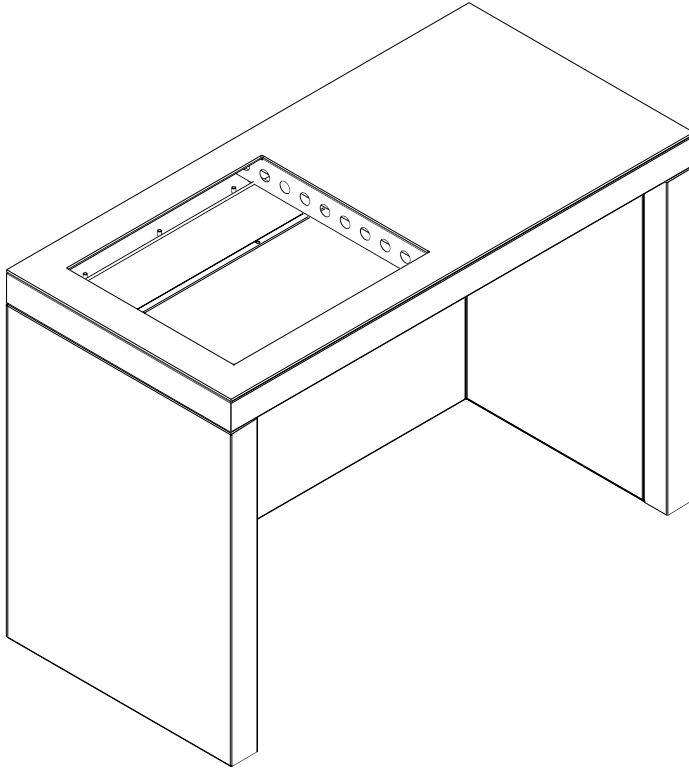
*assemble with two people to avoid damage to the porcelain stone

*hand-tighten all bolts first, align components, then tighten using tool

*access from underneath the bench top



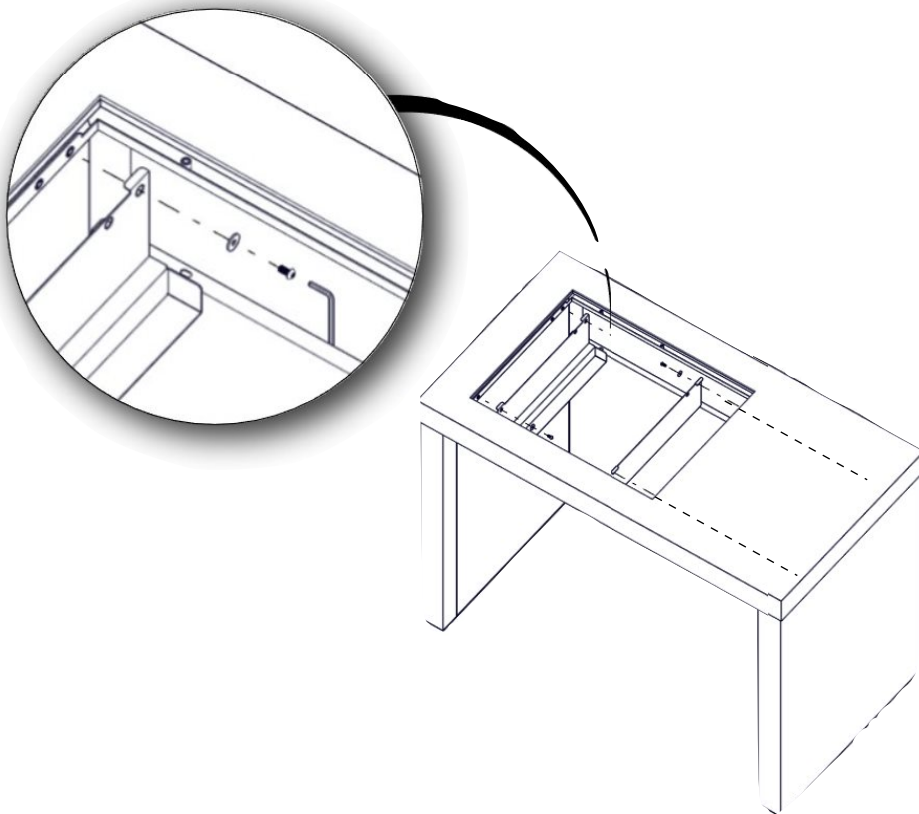
Step 2: Bench Top



NOTE:

- *lift bench into final position with two people
- *adjust feet to ensure stable and level position
- *be careful not to tip the unit onto a stone edge to avoid porcelain stone damage

Step 3: Tray Brackets



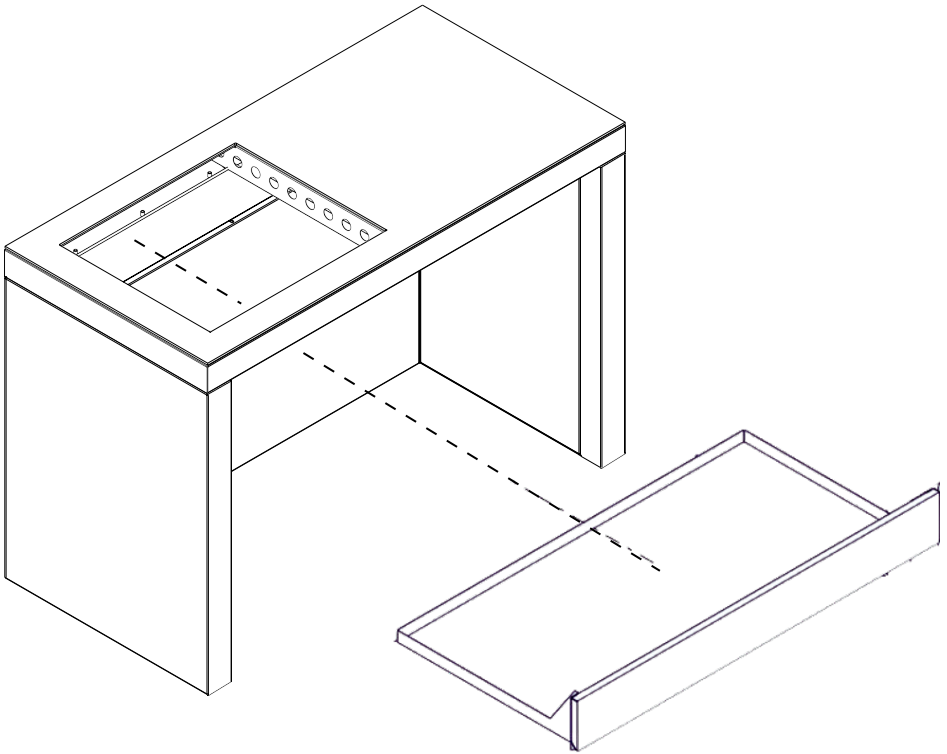
NOTE:

*there is a dedicated left-hand and a dedicated right-hand bracket

*brackets are mounted to the inside of the bench top frame

*Use slots to locate brackets correctly

Step 4: Tray



NOTE:

*slide tray onto brackets

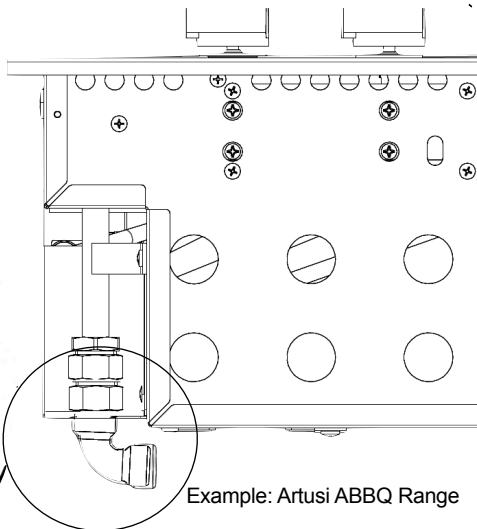
*tray acts as heat shield



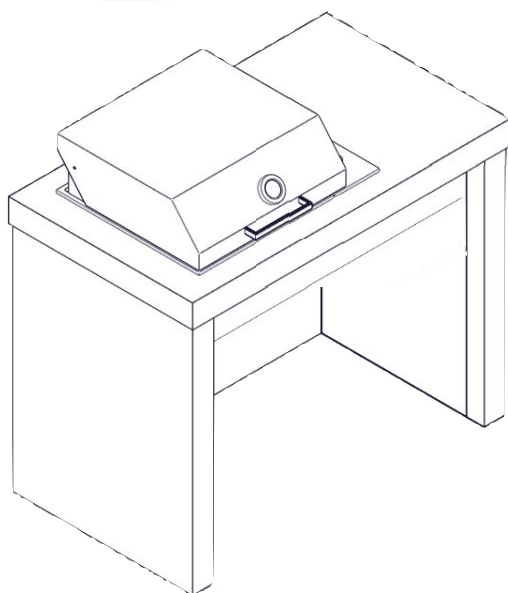
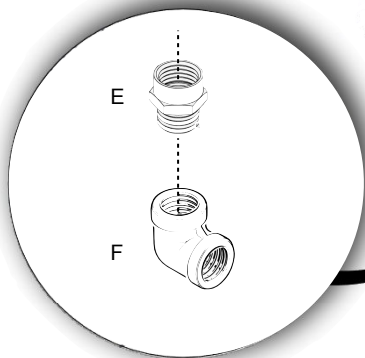
Step 5: Appliance Preparation for LPG Gas Connection

NOTE:

- * attach the extension (E) and elbow adapter (F) to the gas inlet to lead the gas hose to the rear of the unit between BBQ and Tray.
- * Use plumber's tape to seal threaded connections and always test for leaks before using the appliance.



Example: Artusi ABBQ Range



IMPORTANT

Follow the **ULPG gas installation instructions** in the appliance user manual.

Preparation and connection for natural gas has to be done by a certified professional.



Note: All content and visuals accurate at time of printing.
For latest information about the Quadro Concepts range of products be sure to email contact@quadroconcepts.com or visit quadroconcepts.com



QUADRO

E contact@quadroconcepts.com
W www.quadroconcepts.com
IG @quadroconcepts